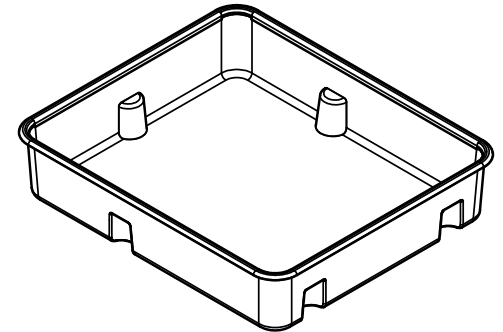



SECTION A-A
SCALE 1/8



DRAWN Jerry Paulson	11/20/2008	 NORWESCO, INC., ST. BONIFACIUS, MN		
CHECKED		TITLE		
QA		600 GALLON CONTAINMENT BASIN		
MFG				
APPROVED				
		SIZE B	DWG NO	REV
		SCALE: 1/16		SHEET 1 OF 1